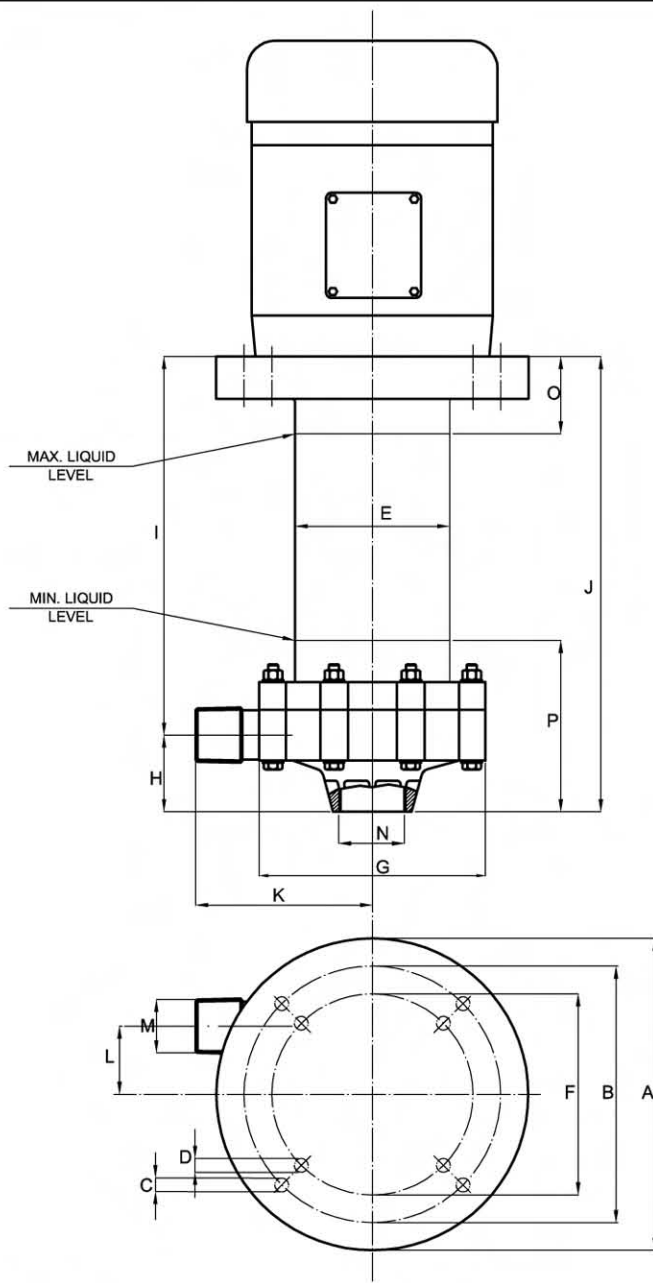


dimensions in inches



NOTE:
DIRECTION OF ROTATION IS CLOCKWISE
AS SEEN WHEN FACING THE PUMP CASING.
PUMPS AVAILABLE THREADED OR FLANGED.

THE DIMENSION'S ARE PURE INDICATIVE AND CAN BE
CHANGED WITHOUT PRIOR NOTICE.

| PUMP TYPE | MOTOR FLANGE | HP | DIMENSIONS - Inches - | | | | | | | | | | | | | | |
|---------------|--------------|-----|-----------------------|--------|-----|------|-------|-------|-------|-------|--------|--------|-------|-----------|-----------|-------|---|
| | | | A | B | C | D | E | F | G | H | I | J | L | M (NPT) | N (NPT) | O | P |
| MV 6.0 | 56C | 0.5 | 8-5/8 | 7-7/16 | 3/8 | 7/16 | 4-3/8 | 5-7/8 | 5-5/8 | 2-3/8 | 10-1/8 | 12-3/8 | 1-3/4 | 3/4" MALE | 1" FEMALE | 2-5/8 | 5 |

| | | | | | | | | |
|------------------------------|------------|---------------------------------|-----------|-------|--------------------------------------|-----------------|---------------------------------|------------|
| DIMENSIONS WITHOUT TOLERANCE | | NOT QUOTED RADIUS BEVEL EDGE | | SCALE | MATERIAL SPECIFICATIONS | | | |
| ACCURACY DEGREE | Js13 | R= | | | DESIGNATION | EXTRACTED FROM | TERMIC AND/OR SURFACE TREATMENT | |
| UNI-ISO STANDARD | 2768 | sm= | | | | | | |
| SUBSTITUTE OF | | | | DATE | SIGNATURE | | | |
| SUBSTITUTED BY | | | | DATE | SIGNATURE | | N.PATTERN | RAW WEIGHT |
| DRAWN BY | CHECKED BY | APPROVED BY | DWG. TYPE | SIZE | N.MASK | MACHINED WEIGHT | | |
| NAME | | | | | MACHINE PROMAG MV 6.0 PP/PVDF | | | |
| DATA DATE | 05/09/12 | 05/09/12 | | | | | | |

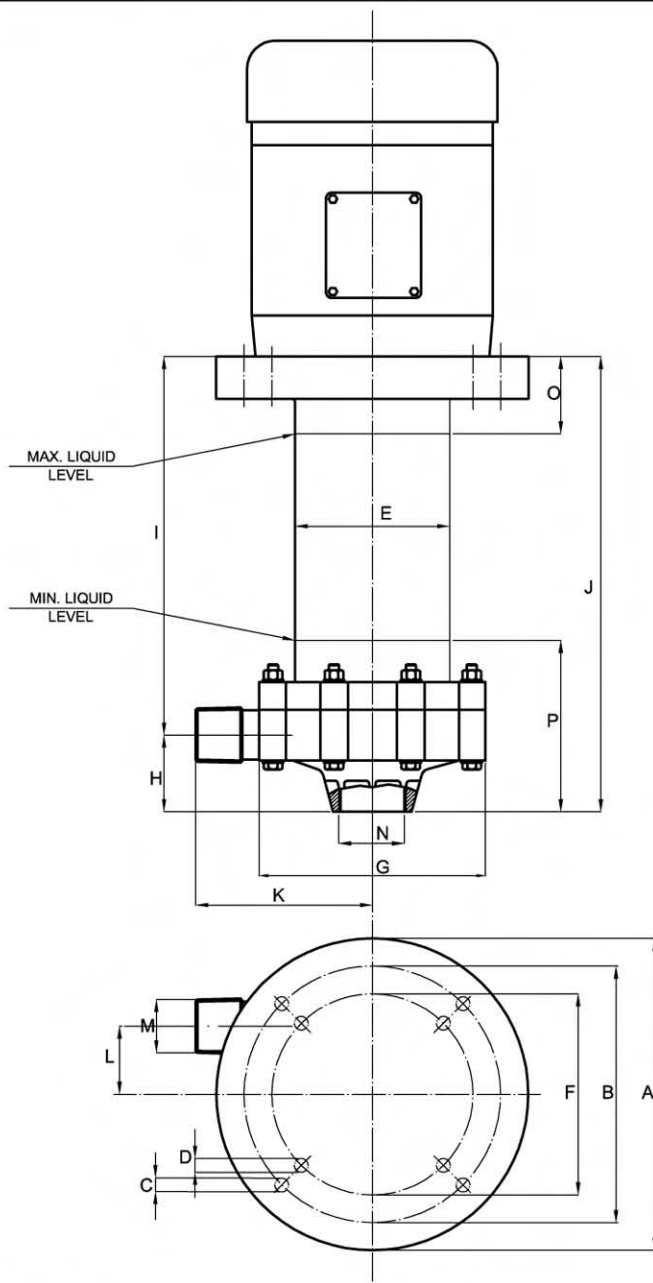


WARRENDER, LTD.
Seal-less Mag Drive Pumps
From Stock or Built-to-Spec™

SUBJECT **DIMENSIONAL DRAWING**

DWG N. _____ REV. **A**

dimensions in inches



NOTE:
DIRECTION OF ROTATION IS CLOCKWISE
AS SEEN WHEN FACING THE PUMP CASING.
PUMPS AVAILABLE THREADED OR FLANGED.

THE DIMENSION'S ARE PURE INDICATIVE AND CAN BE
CHANGED WITHOUT PRIOR NOTICE.

| PUMP TYPE | MOTOR FLANGE | HP | DIMENSIONS - Inches - | | | | | | | | | | | | | | |
|---------------|--------------|----|-----------------------|--------|-----|------|-------|-------|-------|-------|--------|----|-------|---------|---------------|-------|---|
| | | | A | B | C | D | E | F | G | H | I | J | L | M (NPT) | N (NPT) | O | P |
| MV 7.0 | 56C | 1 | 8-5/8 | 7-7/16 | 3/8 | 7/16 | 4-3/8 | 5-7/8 | 5-5/8 | 2-3/4 | 10-1/8 | 13 | 1-3/4 | 1" MALE | 1 1/2" FEMALE | 2-5/8 | 5 |

| | | | | | | | |
|------------------------------|------------|---------------------------------|-----------|-----------------|--------------------------------------|----------------|---------------------------------|
| DIMENSIONS WITHOUT TOLERANCE | | NOT QUOTED RADIUS BEVEL EDGE | | SCALE | MATERIAL SPECIFICATIONS | | |
| ACCURACY DEGREE | Js13 | R= | | | DESIGNATION | EXTRACTED FROM | TERMIC AND/OR SURFACE TREATMENT |
| UNI-ISO STANDARD | 2768 | sm= | | MACHINING START | | | |
| SUBSTITUTE OF | | | | DATE | SIGNATURE | | |
| SUBSTITUTED BY | | | | DATE | SIGNATURE | N.PATTERN | RAW WEIGHT |
| DRAWN BY | CHECKED BY | APPROVED BY | DWG. TYPE | SIZE | N.MASK | | MACHINED WEIGHT |
| NAME | | | | | MACHINE PROMAG MV 7.0 PP/PVDF | | |
| DATA DATE | 05/09/12 | 05/09/12 | | | | | |

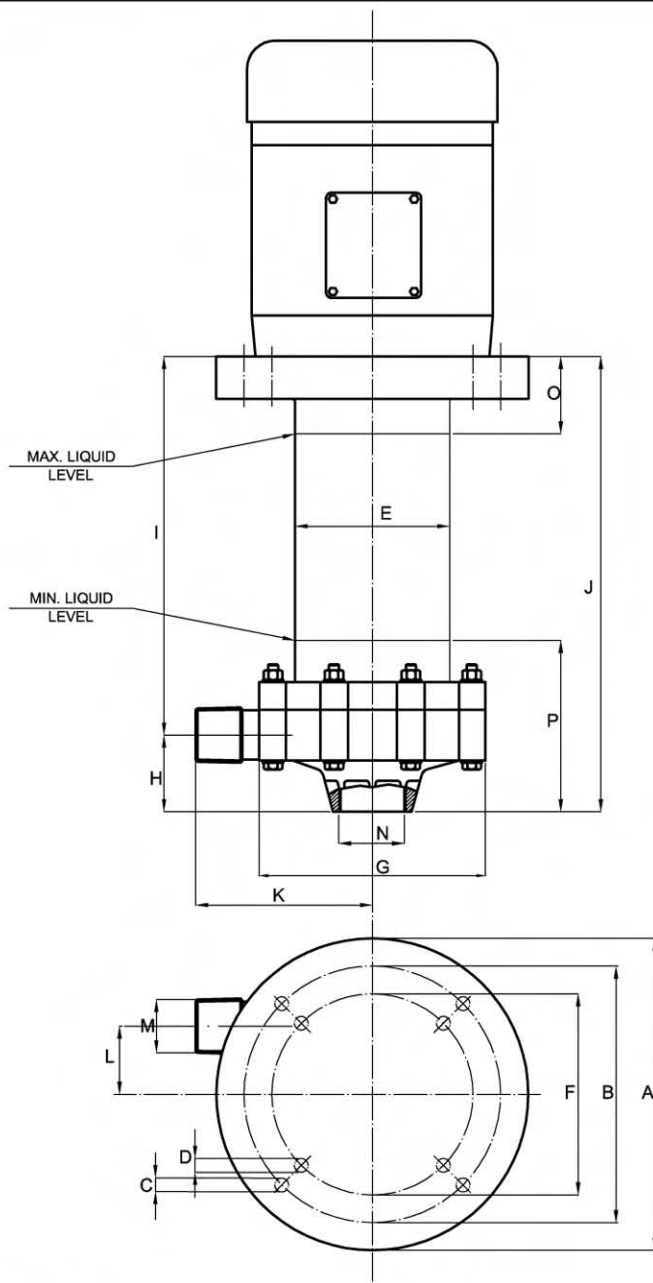


WARRENDER, LTD.
Seal-less Mag Drive Pumps
From Stock or Built-to-Spec™

SUBJECT **DIMENSIONAL DRAWING**

DWG N. _____ REV. **A**

dimensions in inches



NOTE:
DIRECTION OF ROTATION IS CLOCKWISE
AS SEEN WHEN FACING THE PUMP CASING.
PUMPS AVAILABLE THREADED OR FLANGED.

THE DIMENSION'S ARE PURE INDICATIVE AND CAN BE
CHANGED WITHOUT PRIOR NOTICE.

| PUMP TYPE | MOTOR FLANGE | HP | DIMENSIONS - Inches - | | | | | | | | | | | | | | |
|---------------|--------------|-----|-----------------------|--------|-----|------|-------|-------|-------|-------|---------|--------|-------|-------------|-----------|-------|---|
| | | | A | B | C | D | E | F | G | H | I | J | L | M (NPT) | N (NPT) | O | P |
| MV 7.5 | 56C | 1.5 | 11 | 7-7/16 | 3/8 | 7/16 | 5-1/2 | 5-7/8 | 7-7/8 | 3-1/8 | 10-7/16 | 13-5/8 | 2-5/8 | 1 1/4" MALE | 2" FEMALE | 2-5/8 | 8 |

| | | | | | | | |
|------------------------------|----------|---------------------------------|-------------|-----------------|-------------------------|--------------------------------------|---------------------------------|
| DIMENSIONS WITHOUT TOLERANCE | | NOT QUOTED RADIUS BEVEL EDGE | | SCALE | MATERIAL SPECIFICATIONS | | |
| ACCURACY DEGREE | Js13 | R= | | | DESIGNATION | EXTRACTED FROM | TERMIC AND/OR SURFACE TREATMENT |
| UNI-ISO STANDARD | 2768 | sm= | | MACHINING START | | | |
| SUBSTITUTE OF | | | | DATE | SIGNATURE | | |
| SUBSTITUTED BY | | | | DATE | SIGNATURE | | N.PATTERN |
| | DRAWN BY | CHECKED BY | APPROVED BY | DWG. TYPE | SIZE | N.MASK | RAW WEIGHT |
| | | | | | | | MACHINED WEIGHT |
| NAME | | | | | | MACHINE PROMAG MV 7.5 PP/PVDF | |
| DATA DATE | 05/09/12 | 05/09/12 | | | | | |



WARRENDER, LTD.
Seal-less Mag Drive Pumps
From Stock or Built-to-Spec™

SUBJECT **DIMENSIONAL DRAWING**

DWG N. _____ REV. **A**