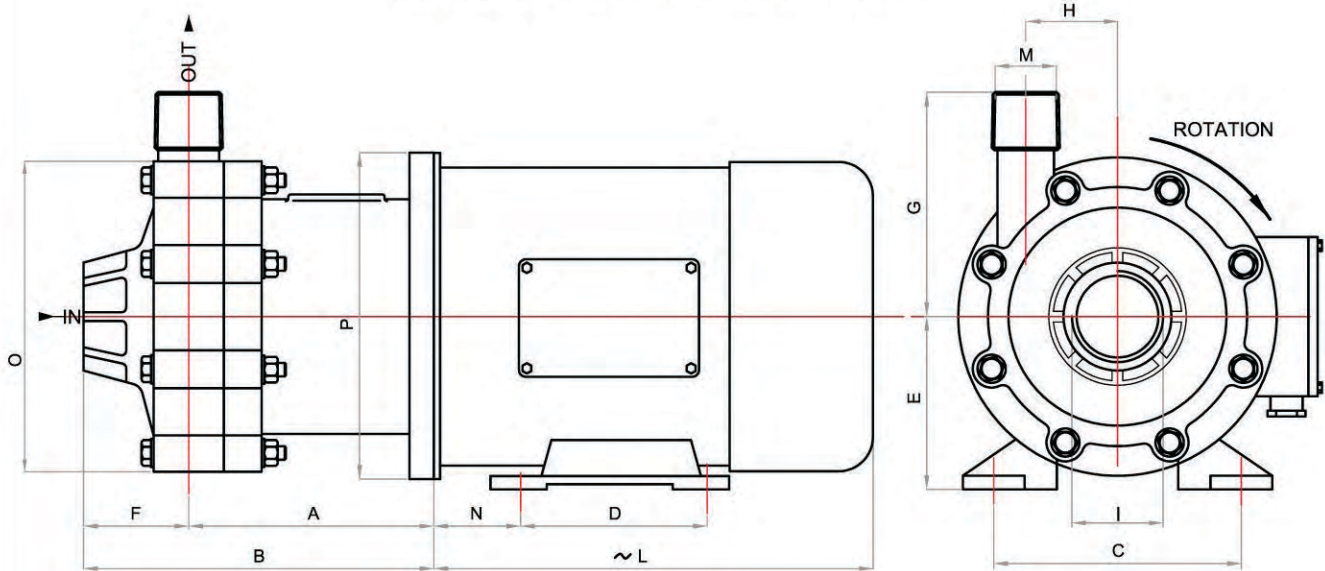


PP / PVDF with NEMA Motors



NOTE:
 DIRECTION OF ROTATION IS CLOCKWISE
 AS SEEN WHEN FACING THE PUMP CASING.
 PUMPS AVAILABLE THREADED OR FLANGED.

THE DIMENSION'S ARE PURE INDICATIVE AND CAN BE
 CHANGED WITHOUT PRIOR NOTICE.

PUMP TYPE	MOTOR FLANGE	HP	DIMENSIONS -inches -													
			A	B	C	D	E	F	G	H	I (NPT)	~ L	M (NPT)	N	O	P
M6.0	56TC	1/2	4-5/8	7	4-3/4	3	3-1/2	2-5/16	3-15/16	1-3/4	1" FEMALE	9-1/2	3/4" MALE	2-3/4	5-5/8	6-1/2
M7.0	56TC	1	5-3/8	8	4-3/4	3	3-1/2	2-3/4	3-15/16	1-3/4	1 1/2" FEMALE	9-1/2	1" MALE	2-3/4	5-3/4	6-1/2
M7.5	56TC	1 1/2	6-1/2	9-5/8	4-3/4	3	3-1/2	3-1/4	5-3/8	2-1/2	2" FEMALE	9-1/2	1 1/4" MALE	2-3/4	8	6-1/2
M8.5	184TC	5	8	11-5/8	7-1/2	5-1/2	4-1/2	3-5/8	5-5/8	2-1/2	2" FEMALE	11-3/8	1 1/2" MALE	3-1/2	8-3/8	8-7/8

DIMENSIONS WITHOUT TOLERANCE		NOT QUOTED RADIUS BEVEL EDGE		SCALE		MATERIAL SPECIFICATIONS		
ACCURACY DEGREE	Js13	R=		DESIGNATION		EXTRACTED FROM	TERMIC AND/OR SURFACE TREATMENT	
UNI-ISO STANDARD	2768	sm=		DATE	SIGNATURE			
SUBSTITUTE OF				DATE	SIGNATURE	N.PATTERN	RAW WEIGHT	
SUBSTITUTED BY				DATE	SIGNATURE	N.MASK	MACHINED WEIGHT	
NAME	DRAWN BY	CHECKED BY	APPROVED BY	DWG. TYPE	SIZE	MACHINE		
DATA DATE	05/09/12	05/09/12				PROMAG M 6.0, 7.0, 7.5 and 8.5 PP/PVDF		



SUBJECT		DIMENSIONAL DRAWING	
DWG N.		REV.	A